



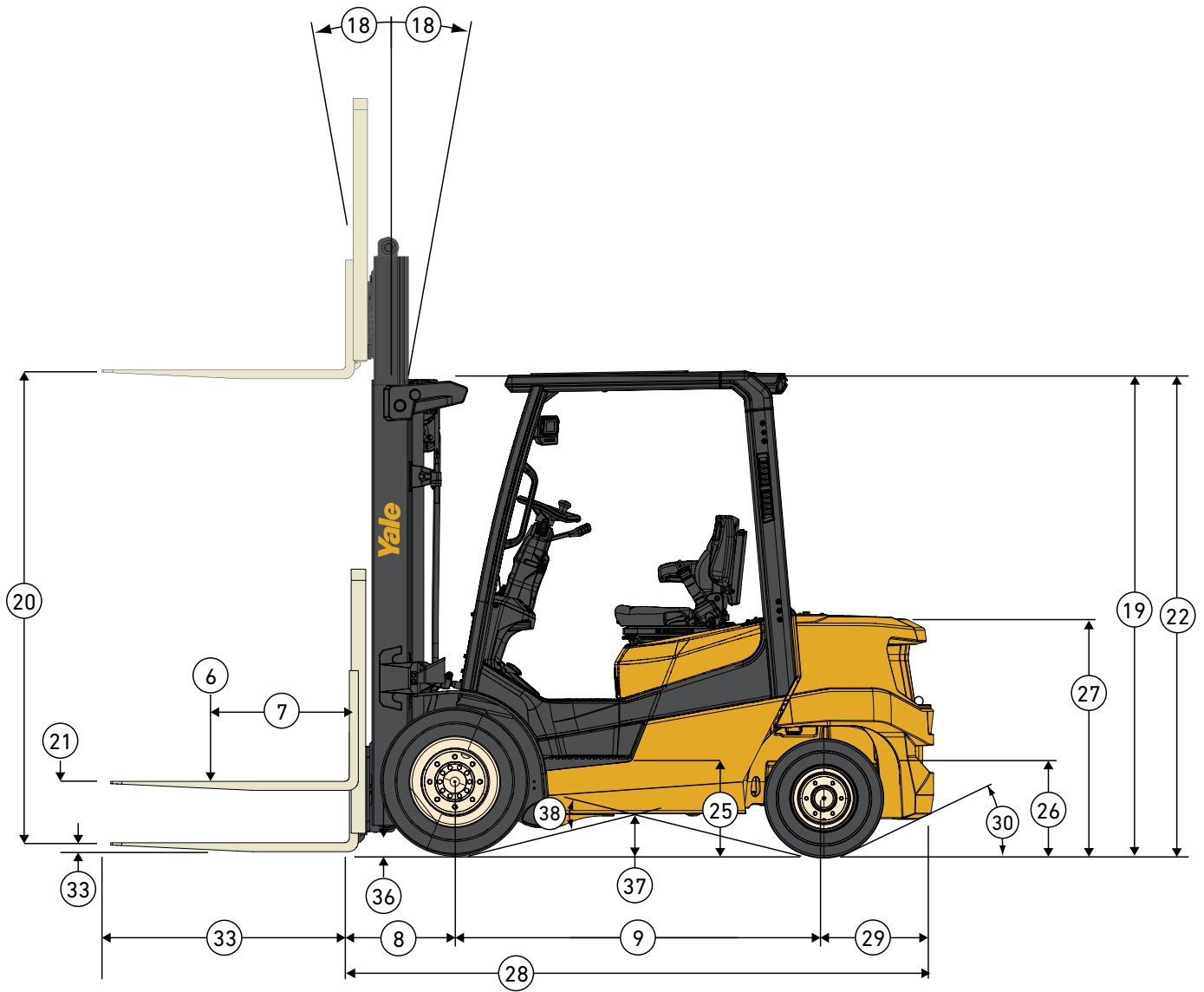
GP 40-70N

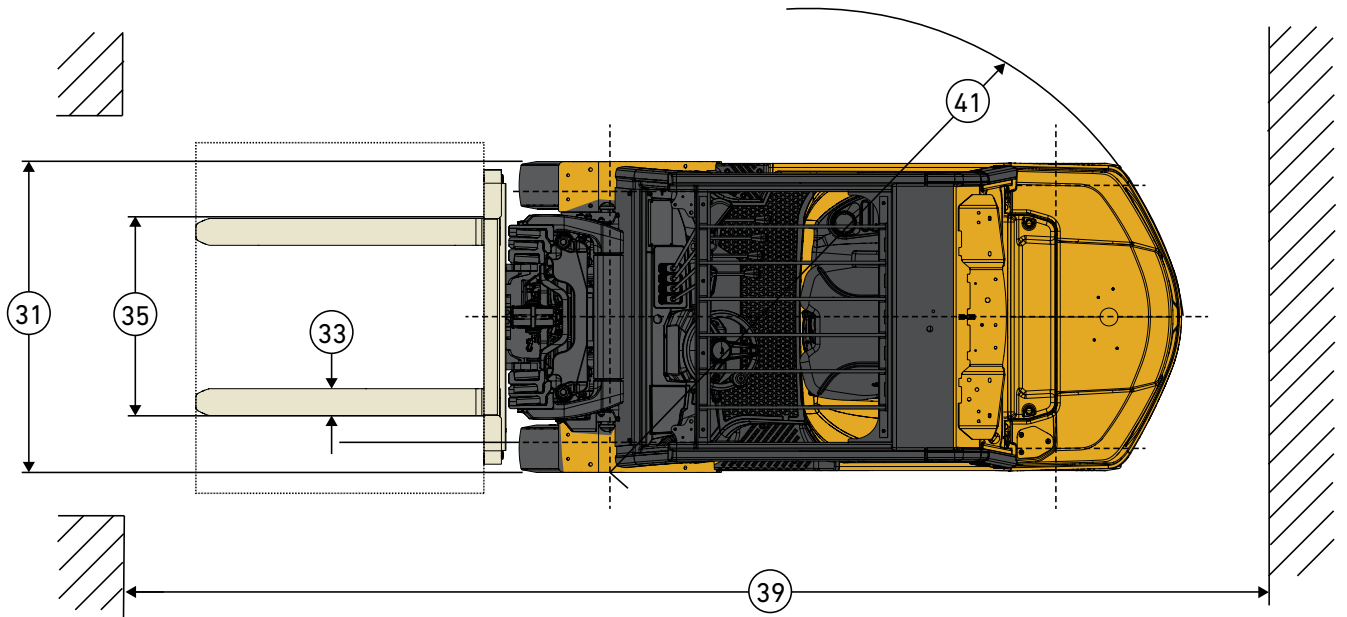
SPEC SHEET

Pneumatic tire internal combustion counterbalanced forklift

4,000-7,000 lbs.

TRUCK DIMENSIONS





GP40-70N LPG SPECIFICATIONS WITH MECHANICAL TRANSMISSION

		Yale					
		GP40N	GP50N	GP60N	GP70N		
GENERAL	1	Manufacturer name	Yale				
	2	Model	GP40N	GP50N	GP60N	GP70N	
	3	Engine	Yanmar 2.2L				
	4	Power type: LPG, Diesel, Dual Fuel	LPG				
	5	Operator type	Seated				
	6	Rated capacity	lbs. (kg)	4000 (1814)	5000 (2268)	6000 (2722)	7000 (3175)
	7	Load center distance	in. (mm)	24.0 (610)			
	8	Length, center of drive Wheel to face of forks	in. (mm)	18.7 (475)	18.7 (475)	19.3 (490)	20.1 (510)
	9	Wheelbase	in. (mm)	65.0 (1650)		66.9 (1700)	
WEIGHT	10	Weight, standard truck NL	lbs. (kg)	7670 (3480)	8520 (3865)	9820 (4455)	10760 (4880)
	11	Weight, standard tTruck RL	lbs. (kg)	11670 (5290)	13520 (6130)	15820 (7180)	17760 (8060)
	12	Axle loading front/rear NL	lbs. (kg)	3590/4080 (1630/1850)	3560/4960 (1615/2250)	3960/5840 (1795/2650)	3970/6770 (1800/3070)
	13	Axle loading front/rear RL	lbs. (kg)	10620/1470 (4815/665)	12330/1700 (5593/772)	14430/2010 (6545/910)	16270/2200 (7380/1000)
TIRES	14	Tire type: cushion, solid, pneumatic	Pneumatic				
	15	Tire size, front	7.00-12		28x9-15		
	16	Tire size, rear	6.00x9		6.50x10		
	17	Wheels, number front/rear (x = driven wheels)	2x/2				
DIMENSIONS	18	Mast tilt angles, forward/backward	degrees	6/6			
	19	Height, mast lowered	in. (mm)	85.0 (2160)	85.0 (2160)	87.6 (2225)	90.6 (2300)
	20	Lift height, top of fork (TOF)	in. (mm)	129.9 (3300)	129.9 (3300)	129.9 (3300)	129.9 (3300)
	21	Free lift height, limited free lift mast (TOF)	in. (mm)	6.3 (160)	6.3 (160)	6.5 (165)	6.7 (170)
	22	Height of standard overhead guard	in. (mm)	84.6 (2150)		85.6 (2175)	
	23	Height of lowered overhead guard	in. (mm)	82.0 (2083)		83.0 (2110)	
	24	Height of cab	in. (mm)	85.6 (2175)		86.6 (2200)	
	25	Step height	in. (mm)	17.3 (440)		18.2 (462)	
	26	Tow pin height	in. (mm)	16.5 (420)		17.5 (445)	
	27	Height of counterweight	in. (mm)	42.3 (1075)		43.2 (1097)	
	28	Length to face of forks	in. (mm)	99.8 (2535)	103.0 (2615)	107.5 (2730)	111.0 (2820)
	29	Rear overhang (steer axle center to counterweight)	in. (mm)	15.9 (404)	19.3 (490)	21.0 (534)	23.7 (601)
	30	Departure angle	%	36			
	31	Overall width, standard tread	in. (mm)	47.4 (1205)		48.5 (1232)	
	32	Overall width, dual Tread	in. (mm)	62.6 (1590)		68.1 (1730)	
	33	Forks, thickness x width x length	in. (mm)	1.6 X 4.8 X 42 (40 X 122 X 1070)		1.8 X 4.8 X 42 (45 X 122 X 1070)	
	34	Standard carriage width	in. (mm)	40.9 (1040)		43.3 (1100)	
	35	Maximum fork spread, outside dimensions	in. (mm)	39.4 (1000)		41.7 (1060)	
	36	Ground clearance below mast RL	in. (mm)	4.5 (115)		5.1 (130)	
	37	Ground clearance, center of wheelbase NL	in. (mm)	7.0 (178)		8.0 (203)	
	38	Breakover angle	%	45		50	
39	Aisle width, right angle stack (add length of load and clearance)	in. (mm)	108.7 (2760)	111.5 (2832)	116.2 (2951)	119.8 (3044)	
40	Equal aisle, 90-degree intersecting aisle	in. (mm)	79.7 (2052)	81.2 (2062)	83.7 (2127)	85.4 (2170)	
41	Outside turning radius (OTR)	in. (mm)	90.0 (2285)	92.8 (2357)	96.9 (2461)	99.8 (2534)	
PERFORMANCE	42	Travel speed RL/NL	mph (km/h)	11.2/11.8 (18/19)	11.2/11.8 (18/19)	11.8/12.4 (19/20)	11.8/12.4 (19/20)
	43	Lift speed, standard 2-stage LFL RL/NL	ft/min (m/s)	100.4/106.3 (0.51/0.54)	100.4/106.3 (0.51/0.54)	78.7/84.6 (0.40/0.43)	78.7/84.6 (0.40/0.43)
	44	Lowering speed, standard 2-stage LFL RL/NL	ft/min (m/s)	84.6/84.6 (0.43/0.43)	88.6/80.7 (0.45/0.41)	88.6/74.8 (0.45/0.38)	88.6/74.8 (0.45/0.38)
	45	Maximum drawbar pull RL/NL	lbs. (kg)	4160/3370 (1890/1530)	4500/3370 (2040/1530)	4050/3600 (1840/1630)	4500/3370 (2040/1530)
	46	Gradeability @ 1mph (1.6kph) RL/NL	%	25/26	24/25	21/25	19/25
POWERTRAIN	47	Engine manufacturer and model	Yanmar 4TN88G				
	48	Power output @ RPM	hp (kW)	56 (42) @ 2530			
	49	Torque @ RPM	ft-lbs. (N-m)	128 (174) @ 1690			
	50	Number of cylinders/displacement	cc (ci)	4/2189 (134)			
	51	Battery type	Maintenance free				
	52	Volts/cold cranking amps	V/A	12/500			
	53	Transmission type, standard	Mechanical powershift				
	54	Standard speeds, forward - reverse	1-1				
	55	Auxiliary hydraulic pressure relief for attachments	psi (MPa)	2540 (17.5)			
	56	Oil flow for attachments	gal/min (L/min)	16.9 (64)			
	57	Hydraulic tank capacity (drain and refill)	gal (L)	13.7 (52)			
	58	Fuel tank capacity (gas & diesel powered units only)	gal (L)	11.1 (42)			

NOTE: Above specifications, unless otherwise listed, are for a standard truck without optional equipment.

RL = Rated Load | NL = No Load

GP40-70N DIESEL SPECIFICATIONS WITH MECHANICAL TRANSMISSION

		Yale					
		GP40N	GP50N	GP60N	GP70N		
GENERAL	1	Manufacturer name	Yale				
	2	Model	GP40N	GP50N	GP60N	GP70N	
	3	Engine	Yanmar 2.1L				
	4	Power type: LPG, Diesel, Dual Fuel	Diesel				
	5	Operator type	Seated				
	6	Rated capacity	lbs. (kg)	4000 (1814)	5000 (2268)	6000 (2722)	7000 (3175)
	7	Load center distance	in. (mm)	24.0 (610)			
	8	Length, center of drive Wheel to face of forks	in. (mm)	18.7 (475)	18.7 (475)	19.3 (490)	20.1 (510)
	9	Wheelbase	in. (mm)	65.0 (1650)		66.9 (1700)	
WEIGHT	10	Weight, standard truck NL	lbs. (kg)	7670 (3480)	8520 (3865)	9820 (4455)	10760 (4880)
	11	Weight, standard tTruck RL	lbs. (kg)	11670 (5290)	13520 (6130)	15820 (7180)	17760 (8060)
	12	Axle loading front/rear NL	lbs. (kg)	3590/4080 (1630/1850)	3560/4960 (1615/2250)	3960/5840 (1795/2650)	3970/6770 (1800/3070)
	13	Axle loading front/rear RL	lbs. (kg)	10620/1470 (4815/665)	12330/1700 (5593/772)	14430/2010 (6545/910)	16270/2200 (7380/1000)
TIRES	14	Tire type: cushion, solid, pneumatic	Pneumatic				
	15	Tire size, front	7.00-12		28x9-15		
	16	Tire size, rear	6.00x9		6.50x10		
	17	Wheels, number front/rear (x = driven wheels)	2x/2				
DIMENSIONS	18	Mast tilt angles, forward/backward	degrees	6/6			
	19	Height, mast lowered	in. (mm)	85.0 (2160)	85.0 (2160)	87.6 (2225)	90.6 (2300)
	20	Lift height, top of fork (TOF)	in. (mm)	129.9 (3300)	129.9 (3300)	129.9 (3300)	129.9 (3300)
	21	Free lift height, limited free lift mast (TOF)	in. (mm)	3.5 (90)		3.9 (100)	
	22	Height of standard overhead guard	in. (mm)	84.6 (2150)		85.6 (2175)	
	23	Height of lowered overhead guard	in. (mm)	82.0 (2083)		83.0 (2110)	
	24	Height of cab	in. (mm)	85.6 (2175)		86.6 (2200)	
	25	Step height	in. (mm)	17.3 (440)		18.2 (462)	
	26	Tow pin height	in. (mm)	16.5 (420)		17.5 (445)	
	27	Height of counterweight	in. (mm)	42.3 (1075)		43.2 (1097)	
	28	Length to face of forks	in. (mm)	99.8 (2535)	103.0 (2615)	107.5 (2730)	111.0 (2820)
	29	Rear overhang (steer axle center to counterweight)	in. (mm)	15.9 (404)	19.3 (490)	21.0 (534)	23.7 (601)
	30	Departure angle	%	36			
	31	Overall width, standard tread	in. (mm)	47.4 (1205)		48.5 (1232)	
	32	Overall width, dual Tread	in. (mm)	62.6 (1590)		68.1 (1730)	
	33	Forks, thickness x width x length	in. (mm)	1.6 X 4.8 X 42 (40 X 122 X 1070)		1.8 X 4.8 X 42 (45 X 122 X 1070)	
	34	Standard carriage width	in. (mm)	40.9 (1040)		43.3 (1100)	
	35	Maximum fork spread, outside dimensions	in. (mm)	39.4 (1000)		41.7 (1060)	
	36	Ground clearance below mast RL	in. (mm)	4.5 (115)		5.1 (130)	
	37	Ground clearance, center of wheelbase NL	in. (mm)	7.0 (178)		8.0 (203)	
	38	Breakover angle	%	45		50	
39	Aisle width, right angle stack (add length of load and clearance)	in. (mm)	108.7 (2760)	111.5 (2832)	116.2 (2951)	119.8 (3044)	
40	Equal aisle, 90-degree intersecting aisle	in. (mm)	79.7 (2052)	81.2 (2062)	83.7 (2127)	85.4 (2170)	
41	Outside turning radius (OTR)	in. (mm)	90.0 (2285)	92.8 (2357)	96.9 (2461)	99.8 (2534)	
PERFORMANCE	42	Travel speed RL/NL	mph (km/h)	11.2/11.8 (18/19)	11.2/11.8 (18/19)	11.8/12.4 (19/20)	11.8/12.4 (19/20)
	43	Lift speed, standard 2-stage LFL RL/NL	ft/min (m/s)	100.4/106.3 (0.51/0.54)	100.4/106.3 (0.51/0.54)	78.7/84.6 (0.40/0.43)	78.7/84.6 (0.40/0.43)
	44	Lowering speed, standard 2-stage LFL RL/NL	ft/min (m/s)	84.6/84.6 (0.43/0.43)	88.6/80.7 (0.45/0.41)	88.6/74.8 (0.45/0.38)	88.6/74.8 (0.45/0.38)
	45	Maximum drawbar pull RL/NL	lbs. (kg)	4160/3370 (1890/1530)	4500/3370 (2040/1530)	4050/3600 (1840/1630)	4500/3370 (2040/1530)
	46	Gradeability @ 1mph (1.6kph) RL/NL	%	22/26	22/26	23/26	20/25
POWERTRAIN	47	Engine manufacturer and model	Yanmar 4TN86DHT				
	48	Power output @ RPM	hp (kW)	59 (44) @ 2530			
	49	Torque @ RPM	ft-lbs. (N-m)	149 (202) @ 1600			
	50	Number of cylinders/displacement	cc (ci)	4/2091 (128)			
	51	Battery type	Maintenance free				
	52	Volts/cold cranking amps	V/A	12/580			
	53	Transmission type, standard	Mechanical powershift				
	54	Standard speeds, forward - reverse	1-1				
	55	Auxiliary hydraulic pressure relief for attachments	psi (MPa)	2540 (17.5)			
	56	Oil flow for attachments	gal/min (L/min)	16.9 (64)			
	57	Hydraulic tank capacity (drain and refill)	gal (L)	11.1 (42)			
	58	Fuel tank capacity (gas & diesel powered units only)	gal (L)	11.1 (42)			

NOTE: Above specifications, unless otherwise listed, are for a standard truck without optional equipment.

RL = Rated Load | NL = No Load

GP40-70N LPG SPECIFICATIONS WITH ELECTRONIC TRANSMISSION

		Yale					
		GP40N	GP50N	GP60N	GP70N		
GENERAL	1	Manufacturer name	Yale				
	2	Model	GP40N	GP50N	GP60N	GP70N	
	3	Engine	Yanmar 2.2L				
	4	Power type: LPG, diesel, dual fuel	LPG				
	5	Operator type	Seated				
	6	Rated capacity	lbs. (kg)	4000 (1814)	5000 (2268)	6000 (2722)	7000 (3175)
	7	Load center distance	in. (mm)	24.0 (610)			
	8	Length, center of drive wheel to face of forks	in. (mm)	18.5 (470)		19.5 (495)	
	9	Wheelbase	in. (mm)	65.0 (1650)		66.9 (1700)	
WEIGHT	10	Weight, standard truck NL	lbs. (kg)	7600 (3450)	8430 (3820)	9890 (4490)	10680 (4840)
	11	Weight, standard truck RL	lbs. (kg)	11600 (5260)	13430 (6090)	15890 (7210)	17680 (8020)
	12	Axle loading front/rear NL	lbs. (kg)	3638/3953 (1650/1793)	3468/4954 (1573/2247)	3929/5960 (1782/2703)	3708/6964 (1682/3159)
	13	Axle loading front/rear RL	lbs. (kg)	10255/1336 (4652/606)	11739/1683 (5325/763)	13808/2082 (6263/944)	15233/2440 (6910/1107)
TIRES	14	Tire type: cushion, solid, pneumatic	Pneumatic				
	15	Tire size, front	7.00-12		28x9-15		
	16	Tire size, rear	6.00x9		6.50x10		
	17	Wheels, number front/rear (x = driven wheels)	2x/2				
DIMENSIONS	18	Mast tilt angles, forward/backward	degrees	6/6			
	19	Height, mast lowered	in. (mm)	85.4 (2170)		86.4 (2195)	
	20	Lift height, top of fork (TOF)	in. (mm)	128 (3260)		120 (3068)	
	21	Free lift height, limited free lift mast (TOF)	in. (mm)	3.5 (90)		3.9 (100)	
	22	Height of standard overhead guard ¹	in. (mm)	85.0 (2160)		85.9 (2182)	
	23	Height of lowered overhead guard ¹	in. (mm)	82.4 (2093)		83.3 (2115)	
	24	Height of cab ¹	in. (mm)	87.3 (2217)		88.1 (2239)	
	25	Step height ¹	in. (mm)	17.3 (440)		18.2 (462)	
	26	Tow pin height ¹	in. (mm)	17.3 (440)		18.2 (462)	
	27	Height of counterweight ¹	in. (mm)	42.3 (1075)			
	28	Length to face of forks	in. (mm)	99.8 (2534)	102.8 (2610)	108.1 (2746)	110.7 (2813)
	29	Rear overhang (steer axle center to counterweight)	in. (mm)	15.9 (404)	19.3 (490)	21.0 (534)	23.7 (601)
	30	Departure angle	%	36			
	31	Overall width, standard tread	in. (mm)	45.7 (1160)		46.7 (1186)	
	32	Overall width, wide tread	in. (mm)	50.4 (1280)		53.3 (1353)	
	33	Forks, thickness x width x length	in. (mm)	1.6 X 3.9 X 42 (40 X 100 X 1067)		2.0 X 4.9 X 42 (50 X 125 X 1067)	
	34	Standard carriage width	in. (mm)	42 (1067)			
	35	Maximum fork spread, outside dimensions	in. (mm)	39.2 (996)			
	36	Ground clearance below mast RL	in. (mm)	5.1 (130)		6.0 (152)	
	37	Ground clearance, center of Wheelbase NL	in. (mm)	6.3 (160)		7.2 (182)	
	38	Breakover angle	%	47		53	
39	Aisle width, right angle stack (add length of load and clearance)	in. (mm)	104.8 (2661)	107.6 (2733)	113.0 (2869)	115.9 (2944)	
40	Equal aisle, 90-degree intersecting aisle	in. (mm)	78.8 (2002)	80.4 (2042)	83.1 (2110)	84.6 (2149)	
41	Outside turning radius (OTR)	in. (mm)	86.3 (2191)	89.1 (2263)	93.5 (2374)	96.4 (2449)	
PERFORMANCE	42	Travel speed RL/NL	mph (km/h)	11.5/11.6 (18.5/18.7)	11.4/11.6 (18.4/18.7)	11.5/11.6 (18.5/18.7)	11.4/11.6 (18.4/18.7)
	43	Lift speed, standard 2-stage LFL RL/NL	ft/min (m/s)	122/128 (0.62/0.65)	120/128 (0.61/0.65)	104/114 (0.53/0.58)	102/114 (0.52/0.58)
	44	Lift speed, optional 2-stage FFL RL/NL	ft/min (m/s)	108/114 (0.55/0.58)	106/114 (0.54/0.58)	100/108 (0.51/0.55)	65/108 (0.33/0.55)
	45	Lift speed, optional 3-stage FFL RL/NL	ft/min (m/s)	114/122 (0.58/0.62)	112/122 (0.57/0.62)	100/108 (0.51/0.55)	98/108 (0.50/0.55)
	46	Lowering speed, standard 2-stage LFL RL/NL	ft/min (m/s)	114/96 (0.58/0.49)		114/104 (0.58/0.53)	
POWERTRAIN	47	Lowering speed, optional 2-stage FFL RL/NL	ft/min (m/s)	106/79 (0.54/0.40)		112/85 (0.57/0.43)	
	48	Lowering speed, optional 3-stage FFL RL/NL	ft/min (m/s)	112/89 (0.57/0.45)			
	49	Drawbar pull @ 1mph (1.6kph) RL/NL	lbs. (kg)	3890/2388 (1764/1083)	3854/2287 (1748/1037)	3769/2488 (1710/1129)	3738/2227 (1696/1010)
	50	Maximum drawbar pull RL/NL	lbs. (kg)	4636/2388 (2103/1083)	4600/2287 (2087/1037)	4501/2488 (2042/1129)	4470/2227 (2028/1010)
	51	Gradeability @ 1mph (1.6kph) RL/NL	%	34/30	29/26	24/24	21/20
	52	Engine manufacturer and model	Yanmar 4TN88G				
	53	Power output @ RPM	hp (kW)	56 (42) @ 2530			
	54	Torque @ RPM	ft-lbs. (N-m)	128 (174) @ 1690			
	55	Number of cylinders/displacement	cc (ci)	4/2189 (134)			
	56	Battery type	Maintenance free				
	57	Volts/cold cranking amps	V/A	12/530			
	58	Transmission type, standard	Electronic powershift				
59	Standard speeds, forward - reverse	1 - 1					
60	Auxiliary hydraulic pressure relief for attachments	psi (MPa)	2610 (18.0)				
61	Oil flow for attachments	gal/min (L/min)	16 (60)				
62	Hydraulic tank capacity (drain and refill)	gal (L)	12.3 (46.4)				
63	Fuel tank capacity (gas & diesel powered units only)	gal (L)	10.5 (39.9)				

¹ GP40-70N models: height increases by 0.9in. (22mm) when equipped with 28x9 drive tires.

NOTE: Above specifications, unless otherwise listed, are for a standard truck without optional equipment.

RL = Rated Load NL = No Load

GP40-70N DIESEL SPECIFICATIONS WITH ELECTRONIC TRANSMISSION

		Yale					
		GP40N	GP50N	GP60N	GP70N		
GENERAL	1	Manufacturer name	Yale				
	2	Model	GP40N	GP50N	GP60N	GP70N	
	3	Engine	Yanmar 2.1L				
	4	Power type: LPG, diesel, dual fuel	Diesel				
	5	Operator type	Seated				
	6	Rated capacity	lbs. (kg)	4000 (1814)	5000 (2268)	6000 (2722)	7000 (3175)
	7	Load center distance	in. (mm)	24.0 (610)			
	8	Length, center of drive wheel to face of forks	in. (mm)	18.5 (470)		19.5 (495)	
	9	Wheelbase	in. (mm)	65.0 (1650)		66.9 (1700)	
WEIGHT	10	Weight, standard truck NL	lbs. (kg)	7600 (3450)	8430 (3820)	9890 (4490)	10680 (4840)
	11	Weight, standard truck RL	lbs. (kg)	11600 (5260)	13430 (6090)	15890 (7210)	17680 (8020)
	12	Axle loading front/rear NL	lbs. (kg)	3638/3953 (1650/1793)	3468/4954 (1573/2247)	3929/5960 (1782/2703)	3708/6964 (1682/3159)
	13	Axle loading front/rear RL	lbs. (kg)	10255/1336 (4652/606)	11739/1683 (5325/763)	13808/2082 (6263/944)	15233/2440 (6910/1107)
TIRES	14	Tire type: cushion, solid, pneumatic	Pneumatic				
	15	Tire size, front	7.00-12		28x9-15		
	16	Tire size, rear	6.00x9		6.50x10		
	17	Wheels, number front/rear (x = driven wheels)	2x/2				
DIMENSIONS	18	Mast tilt angles, forward/backward	degrees	6/6			
	19	Height, mast lowered	in. (mm)	85.4 (2170)		86.4 (2195)	
	20	Lift height, top of fork (TOF)	in. (mm)	128 (3260)		120 (3068)	
	21	Free lift height, limited free lift mast (TOF)	in. (mm)	3.5 (90)		3.9 (100)	
	22	Height of standard overhead guard ¹	in. (mm)	85.0 (2160)		85.9 (2182)	
	23	Height of lowered overhead guard ¹	in. (mm)	82.4 (2093)		83.3 (2115)	
	24	Height of cab ¹	in. (mm)	87.3 (2217)		88.1 (2239)	
	25	Step height ¹	in. (mm)	17.3 (440)		18.2 (462)	
	26	Tow pin height ¹	in. (mm)	17.3 (440)		18.2 (462)	
	27	Height of counterweight ¹	in. (mm)	42.3 (1075)		43.2 (1097)	
	28	Length to face of forks	in. (mm)	99.8 (2534)	102.8 (2610)	108.1 (2746)	110.7 (2813)
	29	Rear overhang (steer axle center to counterweight)	in. (mm)	15.9 (404)	19.3 (490)	21.0 (534)	23.7 (601)
	30	Departure angle	%	36			
	31	Overall width, standard tread	in. (mm)	45.7 (1160)		46.7 (1186)	
	32	Overall width, wide tread	in. (mm)	50.4 (1280)		53.3 (1353)	
	33	Forks, thickness x width x length	in. (mm)	1.6 X 3.9 X 42 (40 X 100 X 1067)		2.0 X 4.9 X 42 (50 X 125 X 1067)	
	34	Standard carriage width	in. (mm)	42 (1067)			
	35	Maximum fork spread, outside dimensions	in. (mm)	39.2 (996)			
	36	Ground clearance below mast RL	in. (mm)	5.1 (130)		6.0 (152)	
	37	Ground clearance, center of Wheelbase NL	in. (mm)	6.3 (160)		7.2 (182)	
	38	Breakover angle	%	47		53	
39	Aisle width, right angle stack (add length of load and clearance)	in. (mm)	104.8 (2661)	107.6 (2733)	113.0 (2869)	115.9 (2944)	
40	Equal aisle, 90-degree intersecting aisle	in. (mm)	78.8 (2002)	80.4 (2042)	83.1 (2110)	84.6 (2149)	
41	Outside turning radius (OTR)	in. (mm)	86.3 (2191)	89.1 (2263)	93.5 (2374)	96.4 (2449)	
PERFORMANCE	42	Travel speed RL/NL	mph (km/h)	11.5/11.6 (18.5/18.7)	11.4/11.6 (18.4/18.7)	11.5/11.6 (18.5/18.7)	11.4/11.6 (18.4/18.7)
	43	Lift speed, standard 2-stage LFL RL/NL	ft/min (m/s)	122/128 (0.62/0.65)	120/128 (0.61/0.65)	104/114 (.53/.58)	104/114 (.53/.58)
	44	Lift speed, optional 2-stage FFL RL/NL	ft/min (m/s)	108/114 (0.55/0.58)	108/114 (0.55/0.58)	102/108 (0.52/0.55)	94/108 (.48/0.55)
	45	Lift speed, optional 3-stage FFL RL/NL	ft/min (m/s)	116/122 (0.59/0.62)	114/122 (0.58/0.62)	100/108 (0.51/0.55)	100/108 (0.51/0.55)
	46	Lowering speed, standard 2-stage LFL RL/NL	ft/min (m/s)	114/96 (0.58/0.49)		114/104 (0.58/0.53)	
	47	Lowering speed, optional 2-stage FFL RL/NL	ft/min (m/s)	106/79 (0.54/0.40)		112/85 (0.57/0.43)	
POWERTRAIN	48	Lowering speed, optional 3-stage FFL RL/NL	ft/min (m/s)	112/89 (0.57/0.45)		108/93 (0.55/0.47)	
	49	Drawbar pull @ 1mph (1.6kph) RL/NL	lbs. (kg)	4434/2388 (2011/1083)	4398/2287 (1995/1037)	4307/2488 (1954/1129)	4276/2227 (1940/1010)
	50	Maximum drawbar pull RL/NL	lbs. (kg)	5186/2388 (2352/1083)	5150/2287 (2336/1037)	5045/2488 (2288/1129)	5014/2227 (2274/1010)
	51	Gradeability @ 1mph (1.6kph) RL/NL	%	40/30	34/26	27/24	25/20
	52	Engine manufacturer and model	Yanmar 4TN86DHT				
	53	Power output @ RPM	hp (kW)	59 (44) @ 2530			
	54	Torque @ RPM	ft-lbs. (N-m)	149 (202) @ 1600			
	55	Number of cylinders/displacement	cc (ci)	4/2091 (128)			
	56	Battery type	Maintenance free				
	57	Volts/cold cranking amps	V/A	12/550			
	58	Transmission type, standard	Electronic powershift				
	59	Standard speeds, forward - reverse	1 - 1				
	60	Auxiliary hydraulic pressure relief for attachments	psi (MPa)	2610 (18.0)			
	61	Oil flow for attachments	gal/min (L/min)	16 (60)			
	62	Hydraulic tank capacity (drain and refill)	gal (L)	9.0 (34.2)			
	63	Fuel tank capacity (gas & diesel powered units only)	gal (L)	10.5 (39.9)			

¹ GP40-70N models: height increases by 0.9in. (22mm) when equipped with 28x9 drive tires.

NOTE: Above specifications, unless otherwise listed, are for a standard truck without optional equipment.

RL = Rated Load NL = No Load

GP40N MAST SPECIFICATIONS WITH MECHANICAL TRANSMISSION

TYPE	Maximum lift height (top of fork)	Overall lowered height ²	Overall extended height		Free lift height (top of fork)		Mast tilt	Capacity ¹	
			without LBR	with 48-inch (1220mm) LBR	without LBR	with 48-inch (1220mm) LBR		Forward/back	Standard tread
			in. (mm)	in. (mm)	in. (mm)	in. (mm)	in. (mm)		in. (mm)
2LFL	129.9 (3300)	85.0 (2160)	152.6 (3875)	168.9 (4290)	6.3 (160)	6.3 (160)	6/6	3960 (1800)	3960 (1800)
2FFL	129.9 (3300)	85.0 (2160)	153.1 (3890)	168.9 (4290)	61.8 (1570)	46.1 (1170)	6/6	3960 (1800)	3960 (1800)
3FFL	171.3 (4350)	79.1 (2010)	191.7 (4870)	210.2 (5340)	54.7 (1390)	40.2 (1020)	6/6	3830 (1740)	3830 (1740)
	177.2 (4500)	81.1 (2060)	197.5 (5017)	216.1 (5490)	56.7 (1440)	42.1 (1070)	6/6	3770 (1710)	3770 (1710)
	189.0 (4800)	85.0 (2160)	209.4 (5320)	228.0 (5790)	60.6 (1540)	46.1 (1170)	6/6	3640 (1650)	3640 (1650)
	196.9 (5000)	89.0 (2260)	217.2 (5517)	235.8 (5990)	64.6 (1640)	50.0 (1270)	6/6	3530 (1600)	3530 (1600)
	216.5 (5500)	95.5 (2425)	236.9 (6017)	255.5 (6490)	70.9 (1800)	56.3 (1430)	6/6	3200 (1450)	3200 (1450)

GP50N MAST SPECIFICATIONS WITH MECHANICAL TRANSMISSION

TYPE	Maximum lift height (top of fork)	Overall lowered height ²	Overall extended height		Free lift height (top of fork)		Mast tilt	Capacity ¹	
			without LBR	with 48-inch (1220mm) LBR	without LBR	with 48-inch (1220mm) LBR		Forward/back	Standard tread
			in. (mm)	in. (mm)	in. (mm)	in. (mm)	in. (mm)		in. (mm)
2LFL	129.9 (3300)	85.0 (2160)	152.6 (3875)	168.9 (4290)	6.3 (160)	6.3 (160)	6/6	5000 (2270)	5000 (2270)
2FFL	129.9 (3300)	85.0 (2160)	153.1 (3890)	168.9 (4290)	61.8 (1570)	46.1 (1170)	6/6	5000 (2270)	5000 (2270)
3FFL	171.3 (4350)	79.1 (2010)	191.7 (4870)	210.2 (5340)	54.7 (1390)	40.2 (1020)	6/6	4720 (2140)	4720 (2140)
	177.2 (4500)	81.1 (2060)	197.5 (5017)	216.1 (5490)	56.7 (1440)	42.1 (1070)	6/6	4650 (2110)	4650 (2110)
	189.0 (4800)	85.0 (2160)	209.4 (5320)	228.0 (5790)	60.6 (1540)	46.1 (1170)	6/6	4500 (2040)	4500 (2040)
	196.9 (5000)	89.0 (2260)	217.2 (5517)	235.8 (5990)	64.6 (1640)	50.0 (1270)	6/6	4390 (1990)	4390 (1990)
	216.5 (5500)	95.5 (2425)	236.9 (6017)	255.5 (6490)	70.9 (1800)	56.3 (1430)	6/6	3900 (1770)	4120 (1870)

GP60N MAST SPECIFICATIONS WITH MECHANICAL TRANSMISSION

TYPE	Maximum lift height (top of fork)	Overall lowered height ²	Overall extended height		Free lift height (top of fork)		Mast tilt	Capacity ¹	
			without LBR	with 48-inch (1220mm) LBR	without LBR	with 48-inch (1220mm) LBR		Forward/back	Standard tread
			in. (mm)	in. (mm)	in. (mm)	in. (mm)	in. (mm)		in. (mm)
2LFL	118.1 (3000)	81.7 (2075)	143.3 (3640)	161.4 (4100)	6.5 (165)	6.5 (165)	6/6	6000 (2720)	6000 (2720)
	129.9 (3300)	87.6 (2225)	155.1 (3940)	173.2 (4400)	6.5 (165)	6.5 (165)	6/6	6000 (2720)	6000 (2720)
2FFL	118.1 (3000)	81.7 (2075)	143.7 (3650)	161.4 (4100)	56.1 (1425)	38.4 (975)	6/6	6000 (2720)	6000 (2720)
	129.9 (3300)	87.6 (2225)	155.5 (3950)	173.2 (4400)	62.0 (1575)	44.3 (1125)	6/6	6000 (2720)	6000 (2720)
3FFL	137.8 (3500)	91.5 (2325)	163.4 (4150)	181.1 (4600)	65.9 (1675)	48.2 (1225)	6/6	6000 (2720)	6000 (2720)
	171.3 (4350)	81.7 (2075)	194.9 (4950)	214.6 (5450)	58.1 (1475)	38.4 (975)	6/6	5640 (2560)	5640 (2560)
	177.2 (4500)	83.7 (2125)	200.8 (5100)	220.5 (5600)	60.0 (1525)	40.4 (1025)	6/6	5580 (2530)	5580 (2530)
	189.0 (4800)	87.6 (2225)	212.6 (5400)	232.3 (5900)	64.0 (1625)	44.3 (1125)	6/6	5420 (2460)	5420 (2460)
	196.9 (5000)	91.5 (2325)	220.5 (5600)	240.2 (6100)	67.9 (1725)	48.2 (1225)	6/6	5310 (2410)	5310 (2410)
	216.5 (5500)	98.0 (2490)	240.2 (6100)	259.8 (6600)	74.0 (1880)	54.3 (1380)	6/6	4830 (2190)	5030 (2280)
	236.2 (6000)	105.3 (2675)	259.8 (6600)	279.5 (7100)	81.7 (2075)	62.0 (1575)	6/6	3660 (1660)	4720 (2140)

GP70N MAST SPECIFICATIONS WITH MECHANICAL TRANSMISSION

TYPE	Maximum lift height (top of fork)	Overall lowered height ²	Overall extended height		Free lift height (top of fork)		Mast tilt	Capacity ¹	
			without LBR	with 48-inch (1220mm) LBR	without LBR	with 48-inch (1220mm) LBR		Forward/back	Standard tread
			in. (mm)	in. (mm)	in. (mm)	in. (mm)	in. (mm)		in. (mm)
2LFL	118.1 (3000)	84.6 (2150)	145.7 (3700)	161.4 (4100)	6.7 (170)	6.7 (170)	6/6	7000 (3175)	7000 (3175)
	129.9 (3300)	90.6 (2300)	157.5 (4000)	173.2 (4400)	6.7 (170)	6.7 (170)	6/6	7000 (3175)	7000 (3175)
2FFL	118.1 (3000)	84.6 (2150)	144.9 (3680)	161.4 (4100)	57.9 (1470)	41.3 (1050)	6/6	7000 (3175)	7000 (3175)
	129.9 (3300)	90.6 (2300)	156.7 (3980)	173.2 (4400)	63.8 (1620)	47.2 (1200)	6/6	7000 (3175)	7000 (3175)
	137.8 (3500)	94.5 (2400)	164.6 (4180)	181.1 (4600)	67.7 (1720)	51.2 (1300)	6/6	7000 (3175)	7000 (3175)
3FFL	171.3 (4350)	84.6 (2150)	196.5 (4990)	214.6 (5450)	59.4 (1510)	41.3 (1050)	6/6	6590 (2990)	6590 (2990)
	177.2 (4500)	86.6 (2200)	202.4 (5140)	220.5 (5600)	61.4 (1560)	43.3 (1100)	6/6	6530 (2960)	6530 (2960)
	189.0 (4800)	90.6 (2300)	214.2 (5440)	232.3 (5900)	65.4 (1660)	47.2 (1200)	6/6	6350 (2880)	6350 (2880)
	196.9 (5000)	94.5 (2400)	222.0 (5640)	240.2 (6100)	69.3 (1760)	51.2 (1300)	6/6	6240 (2830)	6240 (2830)
	216.5 (5500)	101.0 (2565)	241.7 (6140)	259.8 (6600)	75.4 (1915)	57.3 (1455)	6/6	5050 (2290)	5950 (2700)
	236.2 (6000)	108.3 (2750)	261.4 (6640)	279.5 (7100)	83.1 (2110)	65.0 (1650)	6/6	4080 (1850)	5620 (2550)

¹ Approximate capacity shown at 24in. (610mm) load center with pneumatic-shaped solid tires. Actual truck capacity dependent upon equipped options. Contact your dealer for more information.

² Overall lowered height increases by 0.9in. (22mm) when equipped with 28x9 drive tires.

GP40N MAST SPECIFICATIONS WITH ELECTRONIC TRANSMISSION

TYPE	Maximum lift height (top of fork)	Overall lowered height ²	Overall extended height		Free lift height (top of fork)		Mast tilt	Capacity ¹		
			without LBR	with 48-inch (1220mm) LBR	without LBR	with 48-inch (1220mm) LBR		Forward/back	Standard tread	Wide tread
			in. (mm)	in. (mm)	in. (mm)	in. (mm)	in. (mm)	in. (mm)	degrees	lbs. (kg)
2LFL	128.3 (3260)	85.4 (2170)	152.4 (3870)	176.4 (4480)	3.5 (90)	3.5 (90)	6/6	4000 (1814)	4000 (1814)	4000 (1814)
	131.5 (3340)	85.4 (2170)	155.5 (3950)	179.5 (4560)	61.4 (1560)	37.4 (950)	6/6	3950 (1792)	3950 (1792)	3950 (1792)
3FFL	173.2 (4400)	79.5 (2020)	196.9 (5000)	221.3 (5620)	55.9 (1420)	31.5 (800)	6/6	4000 (1814)	4000 (1814)	4000 (1814)
	183.1 (4650)	81.5 (2070)	206.7 (5250)	231.1 (5870)	57.9 (1470)	33.5 (850)	6/6	3900 (1769)	3900 (1769)	3900 (1769)
	189.0 (4800)	81.5 (2070)	212.6 (5400)	237.0 (6020)	59.8 (1520)	33.5 (850)	6/6	3850 (1746)	3850 (1746)	3850 (1746)
	194.9 (4950)	85.4 (2170)	218.5 (5550)	242.9 (6170)	61.8 (1570)	37.4 (950)	6/6	3750 (1701)	3750 (1701)	3750 (1701)
	200.8 (5100)	89.4 (2270)	224.4 (5700)	248.8 (6320)	65.7 (1670)	41.3 (1050)	6/6	3700 (1678)	3700 (1678)	3700 (1678)
	218.5 (5550)	95.3 (2420)	242.1 (6150)	266.5 (6770)	70.1 (1780)	47.2 (1200)	6/6	3500 (1588)	3500 (1588)	3500 (1588)

GP50N MAST SPECIFICATIONS WITH ELECTRONIC TRANSMISSION

TYPE	Maximum lift height (top of fork)	Overall lowered height ²	Overall extended height		Free lift height (top of fork)		Mast tilt	Capacity ¹		
			without LBR	with 48-inch (1220mm) LBR	without LBR	with 48-inch (1220mm) LBR		Forward/back	Standard tread	Wide tread
			in. (mm)	in. (mm)	in. (mm)	in. (mm)	in. (mm)	in. (mm)	degrees	lbs. (kg)
2LFL	128.3 (3260)	85.4 (2170)	152.4 (3870)	176.4 (4480)	3.5 (90)	3.5 (90)	6/6	5000 (2268)	5000 (2268)	5000 (2268)
2FFL	131.5 (3340)	85.4 (2170)	155.5 (3950)	179.5 (4560)	61.4 (1560)	37.4 (950)	6/6	4950 (2245)	4950 (2245)	4950 (2245)
3FFL	173.2 (4400)	79.5 (2020)	196.9 (5000)	221.3 (5620)	55.9 (1420)	31.5 (800)	6/6	5000 (2268)	5000 (2268)	5000 (2268)
	183.1 (4650)	81.5 (2070)	206.7 (5250)	231.1 (5870)	57.9 (1470)	33.5 (850)	6/6	4850 (2200)	4850 (2200)	4850 (2200)
	189.0 (4800)	81.5 (2070)	212.6 (5400)	237.0 (6020)	59.8 (1520)	33.5 (850)	6/6	4800 (2177)	4800 (2177)	4800 (2177)
	194.9 (4950)	85.4 (2170)	218.5 (5550)	242.9 (6170)	61.8 (1570)	37.4 (950)	6/6	4750 (2155)	4750 (2155)	4750 (2155)
	200.8 (5100)	89.4 (2270)	224.4 (5700)	248.8 (6320)	65.7 (1670)	41.3 (1050)	6/6	4650 (2109)	4650 (2109)	4650 (2109)
	218.5 (5550)	95.3 (2420)	242.1 (6150)	266.5 (6770)	70.1 (1780)	47.2 (1200)	6/6	4450 (2018)	4450 (2018)	4450 (2018)

GP60N MAST SPECIFICATIONS WITH ELECTRONIC TRANSMISSION

TYPE	Maximum lift height (top of fork)	Overall lowered height ²	Overall extended height		Free lift height (top of fork)		Mast tilt	Capacity ¹		
			without LBR	with 48-inch (1220mm) LBR	without LBR	with 48-inch (1220mm) LBR		Forward/back	Standard tread	Wide tread
			in. (mm)	in. (mm)	in. (mm)	in. (mm)	in. (mm)	in. (mm)	degrees	lbs. (kg)
2LFL	121.3 (3080)	86.4 (2195)	148.0 (3760)	169.3 (4300)	3.9 (100)	3.9 (100)	6/6	6000 (2722)	6000 (2722)	6000 (2722)
	125.2 (3180)	88.4 (2245)	152.2 (3865)	173.2 (4400)	3.9 (100)	3.9 (100)	6/6	6000 (2722)	6000 (2722)	6000 (2722)
2FFL	126.1 (3205)	86.4 (2195)	153.0 (3885)	174.2 (4425)	59.4 (1510)	38.4 (975)	6/6	5950 (2699)	5950 (2699)	5950 (2699)
	134.1 (3405)	90.4 (2295)	160.8 (4085)	182.1 (4625)	63.4 (1610)	42.3 (1075)	6/6	5950 (2699)	5950 (2699)	5950 (2699)
3FFL	181.9 (4620)	86.4 (2195)	208.3 (5290)	229.9 (5840)	59.8 (1520)	38.2 (970)	6/6	5800 (2631)	5800 (2631)	5800 (2631)
	187.8 (4770)	90.4 (2295)	214.2 (5440)	235.8 (5990)	63.8 (1620)	42.1 (1070)	6/6	5700 (2585)	5700 (2585)	5700 (2585)
	193.7 (4920)	92.3 (2345)	220.1 (5590)	241.7 (6140)	65.7 (1670)	44.1 (1120)	6/6	5650 (2563)	5650 (2563)	5650 (2563)
	211.4 (5370)	100.0 (2540)	237.8 (6040)	259.4 (6590)	73.6 (1870)	52.0 (1320)	6/6	5150 (2336)	5400 (2449)	5400 (2449)
	217.3 (5520)	102.0 (2590)	243.7 (6190)	265.4 (6740)	75.6 (1920)	53.9 (1370)	6/6	4900 (2223)	5300 (2404)	5350 (2427)
	229.1 (5820)	105.9 (2690)	255.5 (6490)	277.2 (7040)	79.5 (2020)	57.9 (1470)	6/6	4300 (1950)	5150 (2336)	5150 (2336)

GP70N MAST SPECIFICATIONS WITH ELECTRONIC TRANSMISSION

TYPE	Maximum lift height (top of fork)	Overall lowered height ²	Overall extended height		Free lift height (top of fork)		Mast tilt	Capacity ¹		
			without LBR	with 48-inch (1220mm) LBR	without LBR	with 48-inch (1220mm) LBR		Forward/back	Standard tread	Wide tread
			in. (mm)	in. (mm)	in. (mm)	in. (mm)	in. (mm)	in. (mm)	degrees	lbs. (kg)
2LFL	121.3 (3080)	86.4 (2195)	148.0 (3760)	169.3 (4300)	3.9 (100)	3.9 (100)	6/6	7000 (3175)	7000 (3175)	7000 (3175)
	125.2 (3180)	88.4 (2245)	152.2 (3865)	173.2 (4400)	3.9 (100)	3.9 (100)	6/6	7000 (3175)	7000 (3175)	7000 (3175)
2FFL	126.1 (3205)	86.4 (2195)	153.0 (3885)	174.2 (4425)	59.4 (1510)	38.4 (975)	6/6	7000 (3175)	7000 (3175)	7000 (3175)
	134.1 (3405)	90.4 (2295)	160.8 (4085)	182.1 (4625)	63.4 (1610)	42.3 (1075)	6/6	7000 (3175)	7000 (3175)	7000 (3175)
3FFL	181.9 (4620)	86.4 (2195)	208.3 (5290)	229.9 (5840)	59.8 (1520)	38.2 (970)	6/6	6800 (3084)	6800 (3084)	6800 (3084)
	187.8 (4770)	90.4 (2295)	214.2 (5440)	235.8 (5990)	63.8 (1620)	42.1 (1070)	6/6	6700 (3039)	6700 (3039)	6700 (3039)
	193.7 (4920)	92.3 (2345)	220.1 (5590)	241.7 (6140)	65.7 (1670)	44.1 (1120)	6/6	6350 (2880)	6600 (2993)	6650 (3016)
	211.4 (5370)	100.0 (2540)	237.8 (6040)	259.4 (6590)	73.6 (1870)	52.0 (1320)	6/6	5250 (2381)	6350 (2880)	6400 (2903)
	217.3 (5520)	102.0 (2590)	243.7 (6190)	265.4 (6740)	75.6 (1920)	53.9 (1370)	6/6	4900 (2223)	6300 (2858)	6300 (2858)
	229.1 (5820)	105.9 (2690)	255.5 (6490)	277.2 (7040)	79.5 (2020)	57.9 (1470)	6/6	4250 (1928)	6100 (2767)	6100 (2767)

¹ Approximate capacity shown at 24in. (610mm) load center with pneumatic-shaped solid tires. Actual truck capacity dependent upon equipped options. Contact your dealer for more information.

² Overall lowered height increases by 0.9in. (22mm) when equipped with 28x9 drive tires.

OPTIONS LIST

POWERTRAIN

Engine - Yanmar 2.2L EPA-certified LPG
Engine - Yanmar 2.2L EPA-certified dual fuel LPG/gasoline
Engine - Yanmar 2.1L EPA-certified diesel
Powershift transmission
Techtronix™ transmission
Brakes - self energizing drum
Brakes - oil-cooled wet disc brakes
Key switch start
Keyless start with operator password
Keyless start - toggle switch
High air intake
High air intake with pre-cleaner
Heavy duty high air intake with or without pre-cleaner
Non-locking fuel cap
Locking fuel cap
Fixed LPG tank bracket
Swing-out LPG tank brakcket
Swing-out and drop down LPG tank bracket
LPG tank bracket interlock
Low exhaust
Overhead exhaust
Exhaust wraps
Single pedal inch brake
Dual pedal inch brake
Diamond plate brake pedal pad
U.L. label - standard construction (type LP, G/LP or D)
U.L. label - safety construction (type LPS, GS/LPS or DS)
System monitoring
Premium monitoring
On-demand cooling system
High capacity starter battery
Low voltage prevention system
Engine block heater
Radiator lint screen
Powertrain protection system with engine shutdown
"Empty seat" engine shutdown
Traction speed limiter pre-set to 8mph
Travel speed indicator
Travel speed alarm

LIFT OPTIONS - FRONT END EQUIPMENT

2 stage limited free lift mast
2 stage full free lift mast
3 stage full free lift mast
42" wide hook type carriage
42" wide hook type integral sideshift carriage
42" wide hook type integral sideshifting fork positioner carriage
48" wide hook type carriage
48" wide hook type integral sideshift carriage
48" wide hook type integral sideshifting fork positioner carriage
54" wide hook type carriage
54" wide hook type integral sideshift carriage
Hook type standard taper forks
Hook type polished & full bottom taper forks
48" high load backrest extension
36" high load backrest extension
60" high load backrest extension
Mast tilt - 6° forward / 6° back
Mast tilt - 10° forward / 6° back
Tilt cylinder boots
Hydraulic accumulator
Laser level line
Height selector

LIFT OPTIONS - HYDRAULICS

Standard displacement hydraulic pump
On-demand hydraulic system
Mechanical lever hydraulic controls
Mini-lever hydraulic controls
Joystick hydraulic controls
Hydraulic controls for use with clamping attachments
Hydraulic controls with return to set tilt
3 function (1 auxiliary) hydraulic control valve
4 function (2 auxiliary) hydraulic control valve
Auxiliary function hose groups
Attachment extension tubes, with or without quick disconnects
Auxiliary function hose groups
Attachment extension tubes, with or without quick disconnects

OPTIONS LIST

CHASSIS - WHEELS & TIRES

Standard tread width

Wide tread width

Dual tread width

Pneumatic tires

Pneumatic radial tires

Pneumatic shaped solid tires

Pneumatic shaped solid tires - premium compound

Pneumatic shaped solid tires - premium, non-marking

Front mud guards

CHASSIS

Dynamic Stability System (DSS)

Belly screen

Drive axle string cutters

Tie downs

Yale Vision™ wireless monitoring

Yale Vision™ wireless access

Yale Vision™ wireless verification

CHASSIS - OPERATOR COMPARTMENT

85" rectangular tube operator compartment

85" figure 8 tube operator compartment

Grid style overhead guard

Clear view overhead guard

Clear view overhead guard - cab ready

Front and top cab panels

Rear cab panel

Steel cab doors

PVC cab doors

Polycarbonate rain top

Cab heater

Air conditioning

Directional lever direction control

Foot Directional Control

Seat side directional control

Steering wheel with spinner knob

Tilt steering column - infinitely adjustable with 26 degree range

Telescopic steering column

2.8" color touchscreen operator display

5" color touchscreen operator display

Non-suspension vinyl seat

CHASSIS - OPERATOR COMPARTMENT (CONTINUED)

Non-suspension cloth seat

Full suspension seat, vinyl or cloth

Air ride full suspension seat, vinyl or cloth

Low-profile full suspension vinyl seat

Seat belt - black - no-cinch with ELR (emergency locking retractor)

Seat belt - high-visibility red - no-cinch with ELR

Seat belt - high-visibility red - no-cinch with ELR + start interlock

CHASSIS - OPERATOR COMPARTMENT ACCESSORIES

Accessory mounting post

Dual side view mirrors

Single panoramic mirror

Rear drive handle with horn button

12 volt auxiliary supply

12 volt power supply with 2 USB charging ports

Operator fan

Reading light

Fire extinguisher

Reverse driving camera with rear-mounted display

LIGHTS & ALARMS

Halogen work lights

LED work lights

Reverse-activated rear work light

Key activated work light control

Automatic (ambient) work light control

LED brake/tail/backup tail light package, with or without turn signals

Visible alarm amber strobe - keyswitch activated

Blue LED pedestrian awareness spot light - front, rear or both

Red LED pedestrian awareness spot light - front, rear or both

Red pedestrian awareness perimeter lights - left and right

Red pedestrian awareness perimeter lights - left, right and rear

LED mast lights - 2 up, 2 down or 2 up and 2 down

Audible alarm - reverse direction activated - self-adjusting

About Yale



Yale Lift Truck Technologies leverages over a century of material handling experience and substantial investment in innovation to bring the most advanced technology-driven lift truck solutions to market. The company offers a full line of award-winning lift trucks, including reach trucks, order pickers, turret trucks, pallet jacks and trucks, pallet stackers, tow tractors and counterbalanced forklifts, as well as powerful operator assist solutions, proven robotics and a wide range of power sources to help customers adapt to today's demanding supply chain. Yale and its independent dealer network support these solutions with comprehensive after-sales service, parts, financing and training.

MATERIALS HANDLING FOR:

Third-party logistics (3PL)

Auto parts distribution

Beverage

Cold & frozen foods

Food distribution

Food processing

Furniture & furnishings

Government

Health & pharma

Home centers & durables

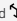
Retail & e-commerce

Yale Lift Truck Technologies
P.O. Box 7367
Greenville, NC 27835-7367
U.S.A.

yale.com



EXPLORE MORE
ONLINE.
←

© 2024 Hyster-Yale Group, Inc., all rights reserved. YALE and  are trademarks of Hyster-Yale Group, Inc.

Trucks may be shown with optional equipment and/or features not available in all regions. Truck performance may be affected by the condition of the vehicle, how it is equipped and the application. Specifications are subject to change without notice. Consult your Yale® Dealer if any of the information shown is critical to your application.

CERTIFICATION: Yale lift trucks meet the design and construction requirements of B56.1-1969, per OSHA Section 1910.178(a)(2), and also comply with the B56.1 revision in effect at time of manufacture. Classified by Underwriters' Laboratories, Inc.